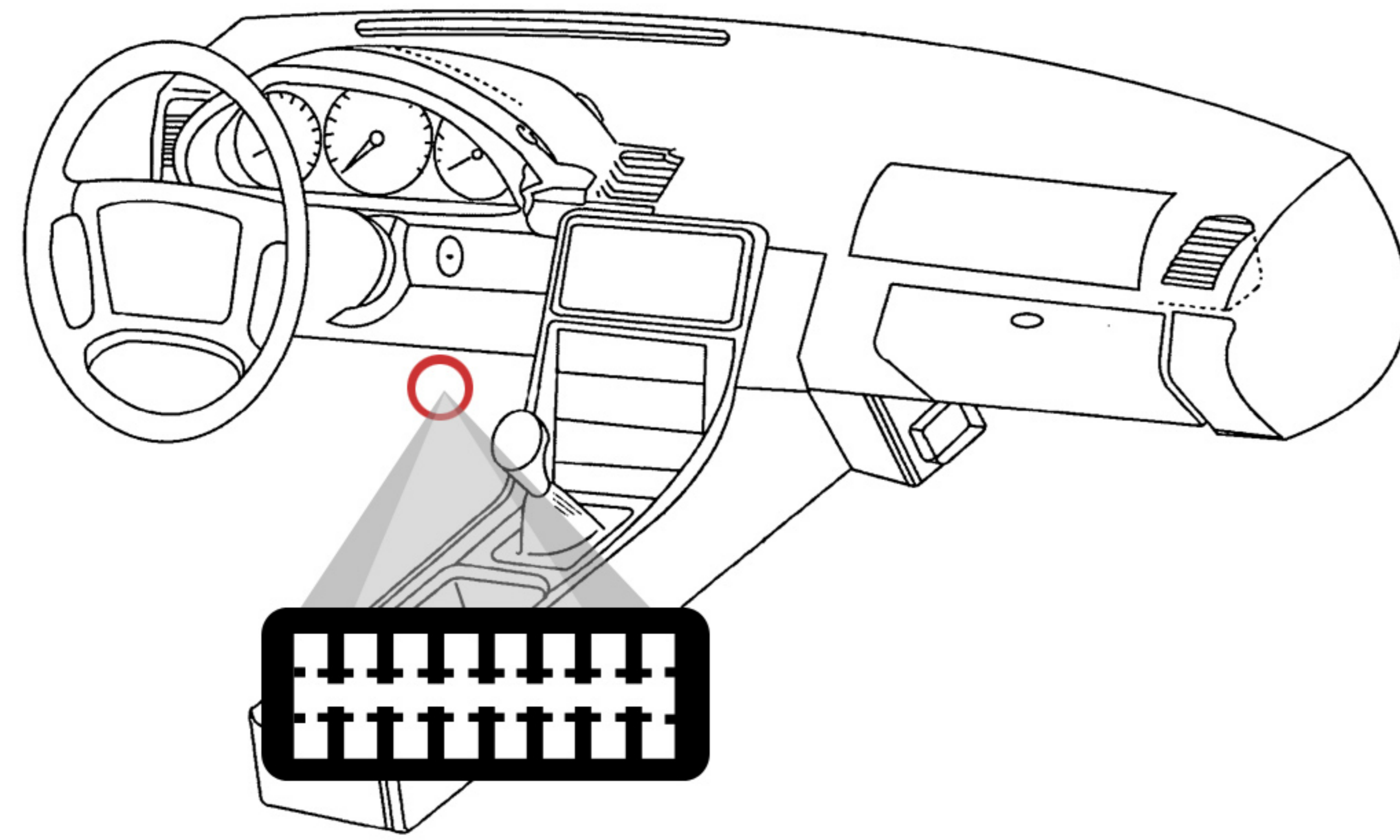


MA2000 OBD QUICK START GUIDE

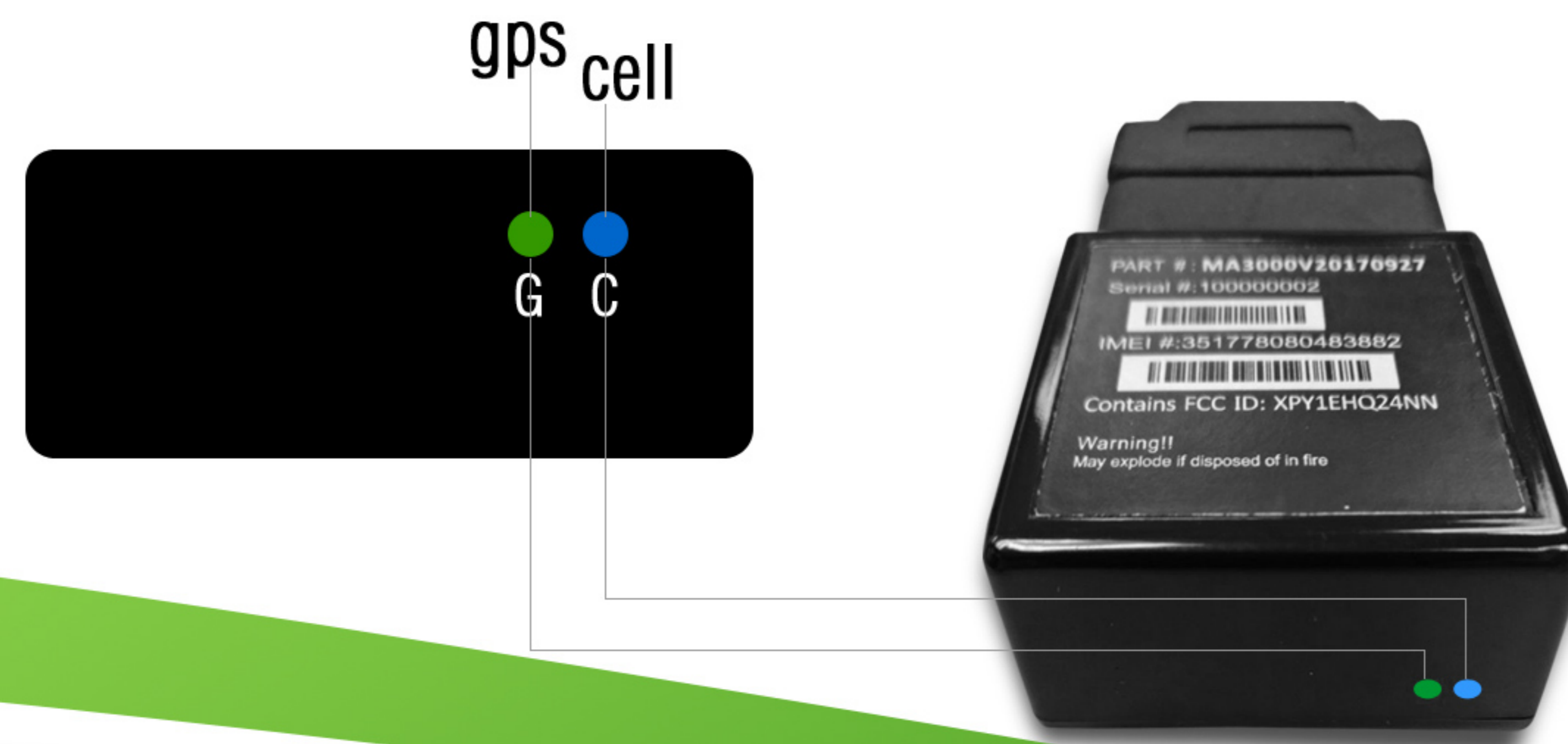
STEP 1 Locate the OBD port on your vehicle

The OBD port can be located underneath the dashboard on the driver's side. All vehicles made since 1996 have this port. The OBD socket looks like the image below.



STEP 2 Connect the GPS Tracker to your vehicle's OBD port

There are status indicators on the device (opposite the OBD socket).



LED	DESCRIPTION	STATUS
Blue (GSM/Cellular)	Searching for GSM Network	Blinking once every second
	GSM Lock connected to cellular network	Blinking once every 3-4 seconds
Green (GPS/Satellite)	Searching for satellite	Blinking once or twice per second
	GPS Lock connected to satellite	Blinking once every 3-4 seconds

STEP 3 Device Activation

- Your login details will be emailed to you. Log on to your account using the account login and password.
- Login to your platform and start tracking.

STEP 4 Default HQ Location

Device may show at the default location. If it does, once the blue LED starts flashing every 3 to 4 seconds, take the device for a 10 minute drive. It will start transmitting and will update to the present location. If your device does not update, click the SUPPORT TEAM button on your platform to get 24/7 online technical support.